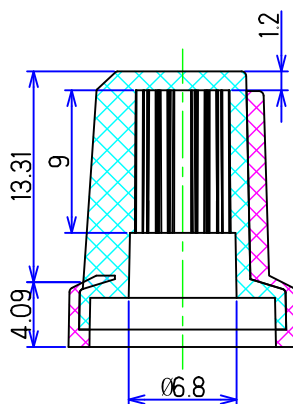
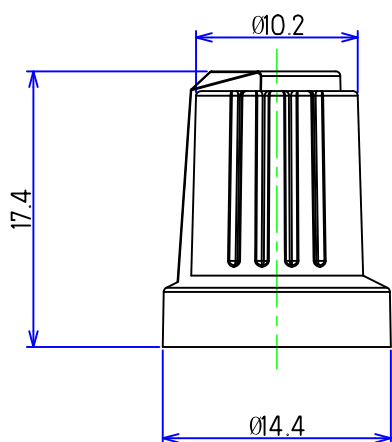
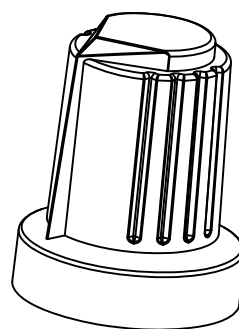
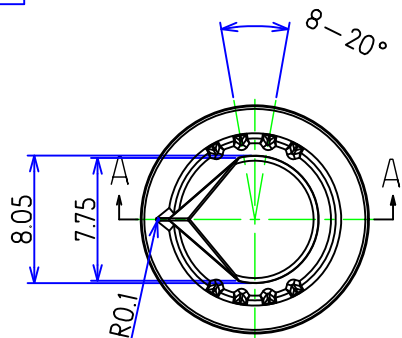


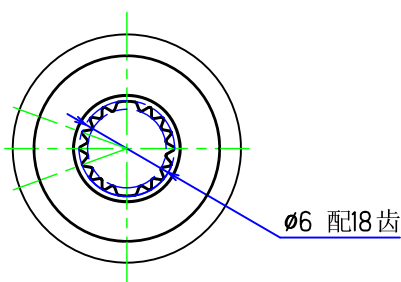
颜色可订制



⊙	0.02
≡	0.02



A-A



∅6 配18齿

检验时要检齿的位置和方向

技术要求:

1: 无缺料、刮伤、披锋不良;

Material No. ABS+TPE				Dispose:		S:	D:	V:	M:
△				TOL UNLESS OTHERWISE STATED		DESIGNED	CHECKED		
△				BASIC DIMENSION	TOLERANCE	SANNI ELECTRONIC TECHNOLOGY			
△				Less than 1.00	±0.01				
△				1.00-less than 10.0	±0.03	DRAWING No.		Model No.	XN-409-KQ
△				10.0-less than 50.0	±0.05	UNIT	Edition	Document No.	XN-409 旋钮
SYMB	REVISION	DATE	APPROVED	ANGLE	±1°	mm	A1.0		
						1:1	2024/10/06		